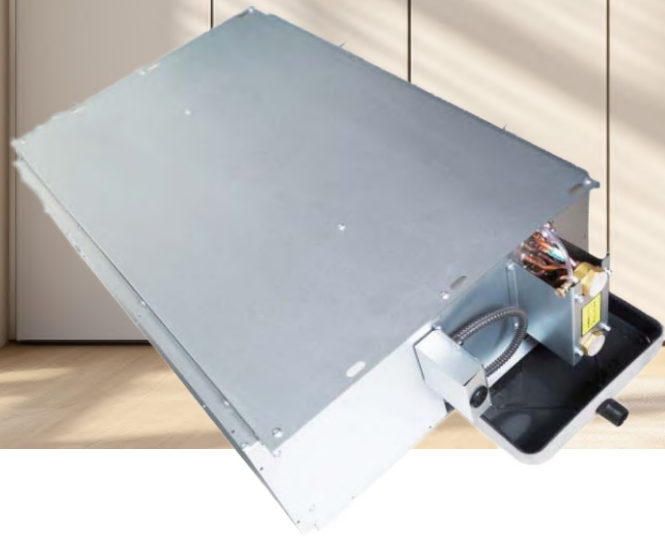
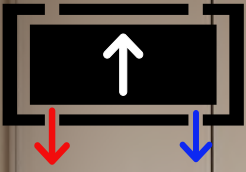
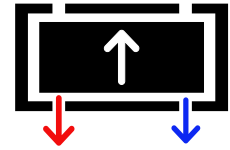


CONCEALED CEILING AIR TO WATER FAN COIL UNIT

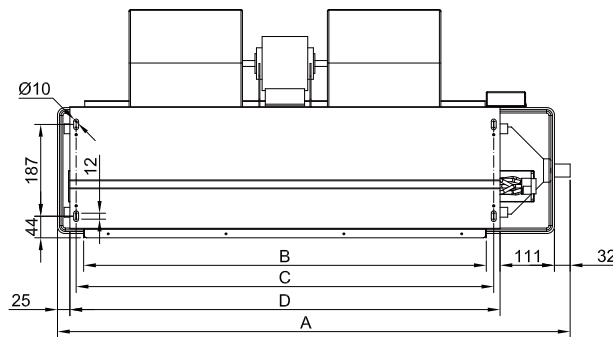
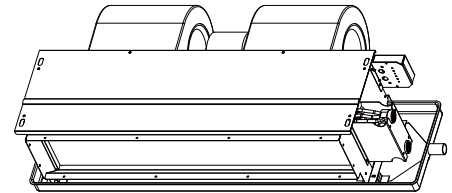
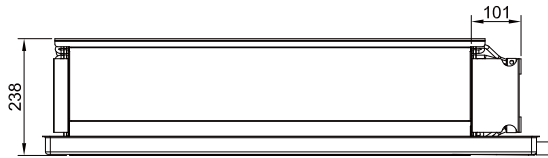
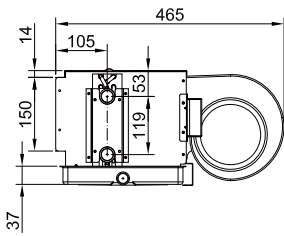


- Precision fans are efficient and quiet
- Symmetrical design for easy installation in ceiling spaces
- Large heat exchanger for low pressure drop & large cooling and heating capacity
- Compatible with slim vertical grilles to blend with the interior design
- Multiple models available for airflows from 340 m³/h - 2380 m³/h
- Wardrobe installation kit available

Concealed Ceiling Air-to-Water Fan Coil Unit



Installing dimension(without air plenum)

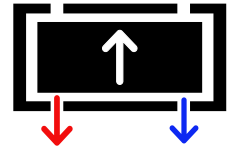


MODEL	MFP-34WA-B	MFP-51WA-B	MFP-68WA-B
A	624	814	864
B	400	590	640
C	430	620	670
D	456	646	696
MODEL	MFP-85WA-B	MFP-102WA-B	MFP-136WA-B
A	944	1044	1424
B	720	820	1200
C	750	850	1230
D	776	876	1256
MODEL	MFP-170WA-B	MFP-204WA-B	MFP-238WA-B
A	1474	1674	1824
B	1250	1450	1600
C	1280	1480	1630
D	1306	1506	1656

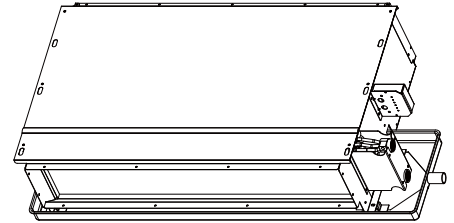
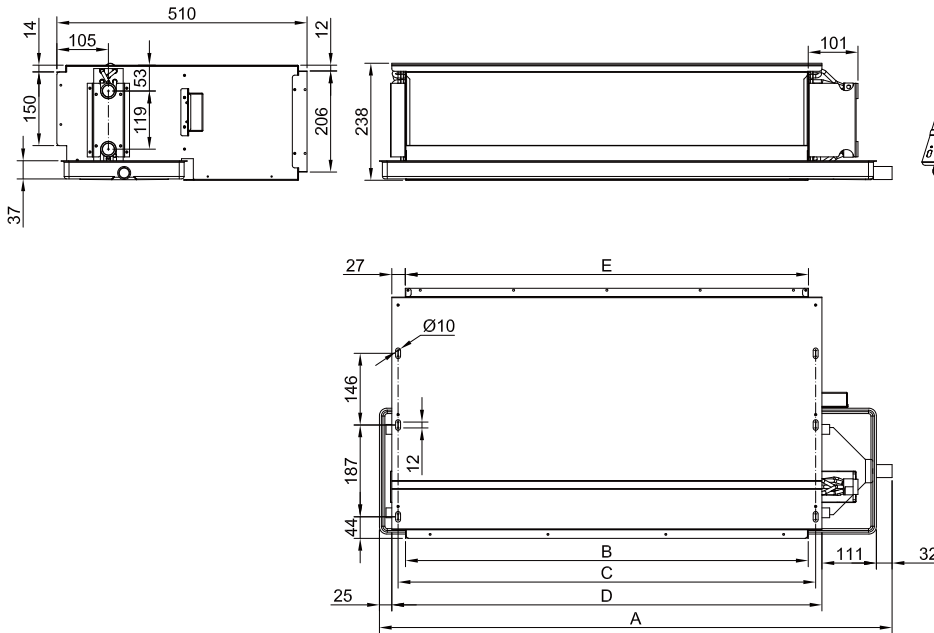
Ceiling conceal ducted type fan coil unit (2-tube system)

Model(2-tube system)		MFP-34WA-B	MFP-51WA-B	MFP-68WA-B	MFP-85WA-B	MFP-102WA-B	MFP-136WA-B	MFP-170WA-B	MFP-204WA-B	MFP-238WA-B		
Power supply		220V,50HZ,1PH										
Air volume	M	340	510	680	850	1020	1360	1700	2040	2380		
	H	270	380	515	660	765	1040	1280	1550	1800		
	L	190	260	340	430	530	710	860	1050	1280		
Static pressure		Pa	12(30,50)	12(30,50)	12(30,50)	12(30,50)	12(30,50)	12(30,50)	12(30,50)	12(30,50)		
Cooling capacity	TH	H	W	2150	3200	4000	5000	5800	8000	9500	11300	12800
			BTU/h	7335	10918	13648	17060	19789	27296	32414	38555	43673
	SH	H	W	1530	2230	2850	3530	4230	5790	6850	8110	9140
			BTU/h	5220	7608	9724	12044	14432	19755	23372	27671	31185
	TH	M	W	1710	2510	3305	4090	4790	6660	7695	9153	10000
			BTU/h	1210	1715	2320	2890	3345	4715	5470	6340	7165
SH	L	W	1355	2000	2470	3000	3520	5150	5870	6820	7850	
		BTU/h	980	1420	1735	2020	2500	3530	4075	4950	5580	
Heating capacity	H	W	3350	5050	6250	7900	9150	12500	15100	17800	20100	
	M	W	2650	3900	5100	6350	7400	10300	11950	14200	15500	
	L	W	2100	3100	3850	4650	5450	8000	9100	10550	12150	
Noise	High speed	12Pa	37	39	41	43	45	47	48	50	52	
		30/50	39/42	41/44	43/46	45/47	48/49	49/50	50/52	52/54	54/56	
Power input	High speed	12Pa	37	52	62	76	96	134	152	189	228	
		30/50	44/49	59/66	72/84	87/100	108/118	156/174	174/210	212/250	253/300	
Water flow volume	High speed	m ³ /h	0.37	0.55	0.69	0.86	0.99	1.37	1.63	1.94	2.19	
Pressure dropping		kPa	16	22	18	29	22	27	35	37	38	
Water tube connection(inlet)			ZG3/4"	ZG3/4"	ZG3/4"	ZG3/4"	ZG3/4"	ZG3/4"	ZG3/4"	ZG3/4"		
Water tube connection(outlet)			ZG3/4"	ZG3/4"	ZG3/4"	ZG3/4"	ZG3/4"	ZG3/4"	ZG3/4"	ZG3/4"		
Coil		Type	Hydrophilic aluminum fin to wear copper tube									
Maximum working pressure		MPa	1.6	1.6	1.6	1.6	1.6	1.6	1.6	1.6		
Condensation pipe size (diameter)		mm	DN20(External thread)									
Net dimension	LxWxH	mm	624 × 465 × 235	814 × 465 × 235	864 × 465 × 235	944 × 465 × 235	1044 × 465 × 235	1424 × 465 × 235	1474 × 465 × 235	1674 × 465 × 235	1824 × 465 × 235	
Net weight		kg	11	13	14	16	17	26	29	32	34	

Concealed Ceiling Air-to-Water Fan Coil Unit

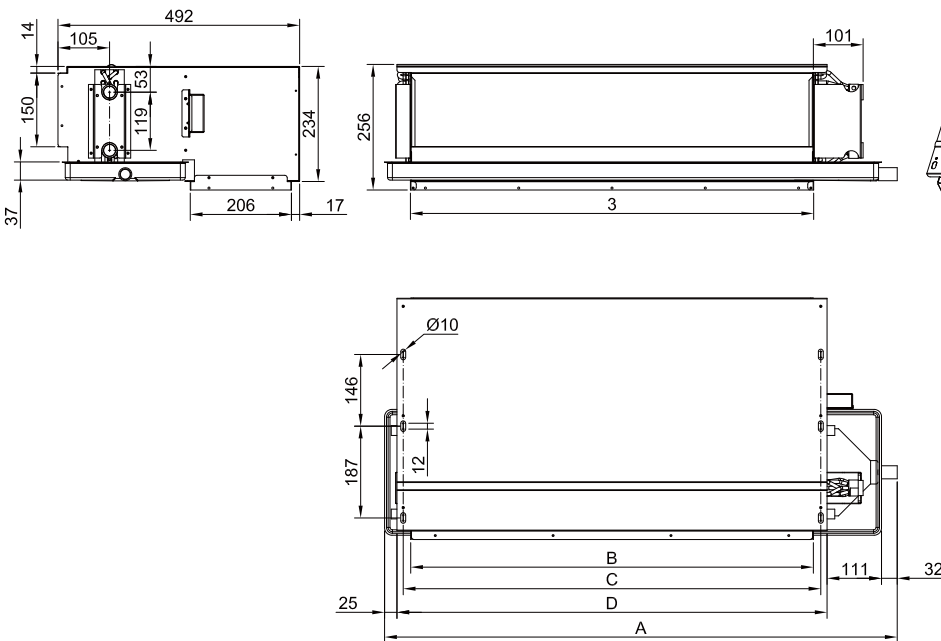


Installing dimension (air return from side)



MODEL	MFP-34WA-B	MFP-51WA-B	MFP-68WA-B
A	624	814	864
B	400	590	640
C	430	620	670
D	456	646	696
E	491	681	731
MODEL	MFP-85WA-B	MFP-102WA-B	MFP-136WA-B
A	944	1044	1424
B	720	820	1200
C	750	850	1230
D	776	876	1256
E	811	821	1201
MODEL	MFP-170WA-B	MFP-204WA-B	MFP-238WA-B
A	1474	1674	1824
B	1250	1450	1600
C	1280	1480	1630
D	1306	1506	1656
E	1251	1451	1601

Installing dimension (air return from bottom)



MODEL	MFP-34WA-B	MFP-51WA-B	MFP-68WA-B
A	624	814	864
B	400	590	640
C	430	620	670
D	456	646	696
E	491	681	731
MODEL	MFP-85WA-B	MFP-102WA-B	MFP-136WA-B
A	944	1044	1424
B	720	820	1200
C	750	850	1230
D	776	876	1256
E	811	821	1201
MODEL	MFP-170WA-B	MFP-204WA-B	MFP-238WA-B
A	1474	1674	1824
B	1250	1450	1600
C	1280	1480	1630
D	1306	1506	1656
E	1251	1451	1601